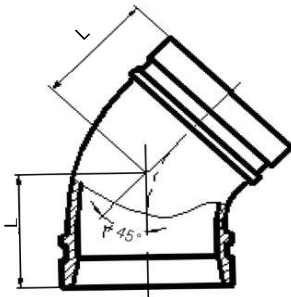


Aceros – Válvulas – Tuberías y Accesorios – Sistemas Contra Incendio

CODO 45°

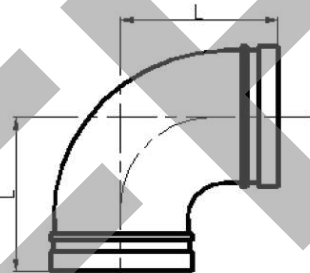
DL® N°: XGQT02



NPS	DN	Diam. Interno (OD)		Working Pressure		Avance	
		mm	pulg.	Psi	Mpa	L	
2	50	60.3	2.374	300.0	2.07	51.0	2.01
2-1/2	65	73.0	2.874	300.0	2.07	57.0	2.24
3	80	88.9	3.50	300.0	2.07	64.0	2.52
4	100	114.3	4.50	300.0	2.07	76.0	2.99
5	125	141.3	5.56	300.0	2.07	83.0	3.27
6	150	168.3	6.63	300.0	2.07	89.0	3.50
8	200	219.1	8.63	300.0	2.07	108.0	4.25
10	250	273.0	10.75	300.0	2.07	121.0	4.76
12	300	323.9	12.75	300.0	2.07	133.0	5.24

CODO 90°

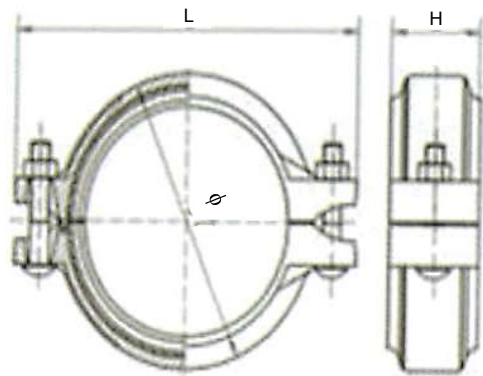
DL® N°: XGQT01L



NPS	DN	Diam. Externo (OD)		Working Pressure		Avance	
		mm	pulg.	Psi	Mpa	L	
2	50	60.3	2.37	300.0	2.07	83.0	3.27
2-1/2	65	73.0	2.87	300.0	2.07	95.0	3.74
3	80	88.9	3.50	300.0	2.07	108.0	4.25
4	100	114.3	4.50	300.0	2.07	127.0	5.00
5	125	141.3	5.56	300.0	2.07	140.0	5.51
6	150	168.3	6.63	300.0	2.07	165.0	6.50
8	200	219.1	8.63	300.0	2.07	197.0	7.76
10	250	273.0	10.75	300.0	2.07	229.0	9.02
12	300	323.8	12.75	300.0	2.07	254.0	10.00

ACOPLE FLEXIBLE

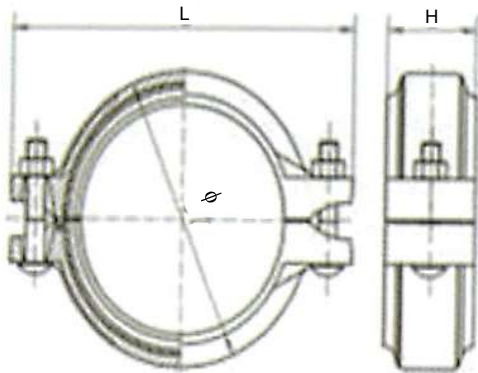
DL® N°: XGQT2



NPS	DN	Diam. Externo (OD)		Working Pressure		Dimensiones						Pernos de ajuste
						φ		L		H		
		mm	pulg.	Psi	Mpa	mm	pulg.	mm	pulg.	mm	pulg.	
1-1/2	40	48.3	1.90	300	2.07	72.0	2.83	114.0	4.49	44.0	1.73	2 - M10x45
2	50	60.3	2.37	300	2.07	85.0	3.35	125.0	4.92	45.0	1.77	2 - M10x45
2-1/2	65	73	2.87	300	2.07	98.0	3.86	137.0	5.39	45.0	1.77	2 - M10x55
3	80	88.9	3.50	300	2.07	160.0	6.30	160.0	6.30	45.0	1.77	2 - M10x55
4	100	114.3	4.50	300	2.07	147.2	5.80	193.0	7.60	50.0	1.97	2 - M12x66
5	125	141.3	5.56	300	2.07	170.0	6.69	222.0	8.74	50.0	1.97	2 - M12x75
6	150	168.3	6.63	300	2.07	205.0	8.07	254.0	10.00	50.0	1.97	2 - M16x85
8	200	219.1	8.63	300	2.07	257.0	10.12	330.0	12.99	58.0	2.28	2 - M20x120
10	250	273	10.75	300	2.07	328.0	12.91	420.0	16.54	62.0	2.44	2 - M22x140
12	300	323.9	12.75	300	2.07	380.0	14.96	454.0	17.87	63.0	2.48	2 - M22x140

ACOPLE RIGIDO

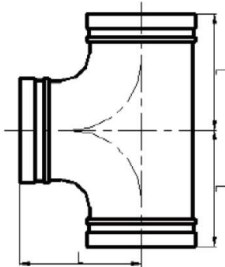
DL® N°: XGQT1



NPS	DN	Diam. Externo (OD)		Working Pressure		Dimensiones						Pernos de ajuste
						φ		L		H		
						mm	pulg.	mm	pulg.	mm	pulg.	
1-1/2	40	48.3	1.90	300	2.07	72.0	2.83	114.0	4.49	44.0	1.73	2 - M10x45
2	50	60.3	2.37	300	2.07	85.0	3.35	125.0	4.92	45.0	1.77	2 - M10x55
2-1/2	65	73	2.87	300	2.07	98.0	3.86	137.0	5.39	45.0	1.77	2 - M10x55
3	80	88.9	3.50	300	2.07	114.0	4.49	160.0	6.30	45.0	1.77	2 - M10x55
4	100	114.3	4.50	300	2.07	147.2	5.80	193.0	7.60	50.0	1.97	2 - M12x65
5	125	141.3	5.56	300	2.07	170.0	6.69	222.0	8.74	50.0	1.97	2 - M12x75
6	150	168.3	6.63	300	2.07	205.0	8.07	254.0	10.00	50.0	1.97	2 - M16x75
8	200	219.1	8.63	300	2.07	257.0	10.12	330.0	12.99	58.0	2.28	2 - M16x85
10	250	273	10.75	300	2.07	328.0	12.91	420.0	16.54	62.0	2.44	2 - M20x130
12	300	323.9	12.75	300	2.07	380.0	14.96	454.0	17.87	63.0	2.48	2 - M20x130

TEE

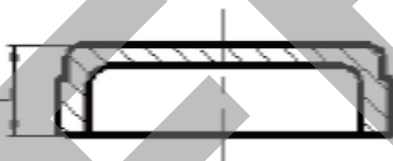
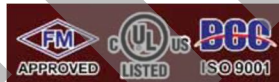
DL® N°: XGQT03L



NPS	DN	Diam. Externo (OD)		Working Pressure		Avance	
		mm	pulg.	Psi	Mpa	L	
2	50	60.3	2.37	300.0	2.07	83.0	3.27
2-1/2	65	73.0	2.87	300.0	2.07	95.0	3.74
3	80	88.9	3.50	300.0	2.07	108.0	4.25
4	100	114.3	4.50	300.0	2.07	127.0	5.00
5	125	141.3	5.56	300.0	2.07	140.0	5.51
6	150	168.3	6.63	300.0	2.07	165.0	6.50
8	200	219.1	8.63	300.0	2.07	197.0	7.76
10	250	273.0	10.75	300.0	2.07	229.0	9.02
12	300	323.8	12.75	300.0	2.07	254.0	10.00

CAP (TAPON HEMBRA)

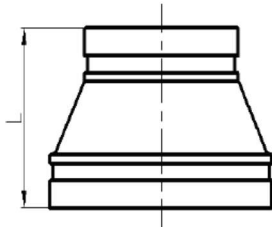
DL® N°: XGQT06



NPS	DN	Diam. Externo (OD)		Working Pressure		DISTANCIA	
		mm	pulg.	Psi	Mpa	L	
2	50	60.3	2.37	300.0	2.07	23.8	0.94
2-1/2	65	73.0	2.87	300.0	2.07	23.8	0.94
3	80	88.9	3.50	300.0	2.07	23.8	0.94
4	100	114.3	4.50	300.0	2.07	25.4	1.00
5	125	141.3	5.56	300.0	2.07	25.4	1.00
6	150	168.3	6.63	300.0	2.07	25.4	1.00
8	200	219.1	8.63	300.0	2.07	32.0	1.26
10	250	273.0	10.75	300.0	2.07	32.0	1.26
12	300	323.8	12.75	300.0	2.07	32.0	1.26

REDUCCION CONCENTRICA

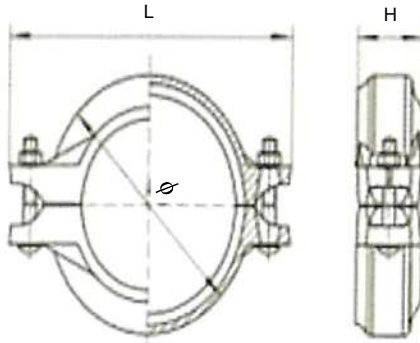
DL® N°: XGQT07G



NPS	DN	Diam. Externo (OD)		Working Pressure		LONGITUD	
		mm	pulg.	Psi	Mpa	L	
						mm	pulg.
2-1/2 X 2	65 X 50	73 X 60.3	2.875 X 2.375	300.0	2.07	64.0	2.52
3 X 2	80 X 50	88.9 X 60.3	3.500 X 2.375	300.0	2.07	64.0	2.52
3 X 2-1/2	80 X 65	88.9 X 73.0	3.500 X 2.875	300.0	2.07	64.0	2.52
4 X 2	100 X 50	114.3 X 63.0	4.500 X 2.375	300.0	2.07	76.0	2.99
4 X 2-1/2	100 X 65	114.3 X 73.0	4.500 X 2.875	300.0	2.07	76.0	2.99
4 X 3	100 X 80	114.3 X 88.9	4.500 X 3.500	300.0	2.07	76.0	2.99
5 X 3	125 X 80	139.7 X 88.9	5.500 X 3.500	300.0	2.07	89.0	3.50
5 X 4	125 X 100	139.7 X 114.3	5.500 X 4.500	300.0	2.07	89.0	3.50
6 X 2-1/2	150 X 65	168.3 X 73.0	6.625 X 2.875	300.0	2.07	102.0	4.02
6 X 3	150 X 80	168.3 X 88.9	6.625 X 3.500	300.0	2.07	102.0	4.02
6 X 4	150 X 100	168.3 X 114.3	6.625 X 4.500	300.0	2.07	102.0	4.02
6 X 5	150 X 125	168.3 X 141.3	6.625 X 4.500	300.0	2.07	102.0	4.02
8 X 4	200 X 100	219.1 X 114.3	8.625 X 4.500	300.0	2.07	127.0	5.00
8 X 6	200 X 150	219.1 X 168.3	8.625 X 6.625	300.0	2.07	127.0	5.00
10 X 8	250 X 200	273.0 X 219.1	10.750 X 8.625	300.0	2.07	152.0	5.98

ACOPLE FLEXIBLE REDUCTOR

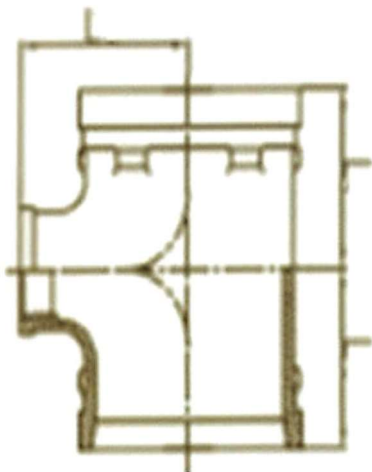
DL® N°: XGQT6



NPS	DN	Diam. Externo (OD)		Working Pressure		Dimensiones						Pernos de ajuste
		mm	pulg.	Psi	Mpa	φ		L		H		
						mm	pulg.	mm	pulg.	mm	pulg.	
2-1/2 X 2	65 X 50	73 X 60.3	2.875 X 2.375	300.0	2.07	98.0	3.86	137.0	5.39	45.0	1.77	2 - M10 x 55
3 X 2	80 X 50	88.9 X 60.3	3.500 X 2.375	300.0	2.07	114.0	4.49	160.0	6.30	45.0	1.77	2 - M10 x 55
3 X 2-1/2	80 X 65	88.9 X 73.0	3.500 X 2.875	300.0	2.07	114.0	4.49	160.0	6.30	45.0	1.77	2 - M10 x 55
4 X 2	100 X 50	114.3 X 63.0	4.500 X 2.375	300.0	2.07	147.2	5.80	193.0	7.60	50.0	1.97	2 - M12 x 65
4 X 2-1/2	100 X 65	114.3 X 73.0	4.500 X 2.875	300.0	2.07	147.2	5.80	193.0	7.60	50.0	1.97	2 - M12 x 65
4 X 3	100 X 80	114.3 X 88.9	4.500 X 3.500	300.0	2.07	147.2	5.80	193.0	7.60	50.0	1.97	2 - M12 x 65
6 X 3	150 X 80	168.3 X 88.9	6.625 X 3.500	300.0	2.07	205.0	8.07	254.0	10.00	50.0	1.97	2 - M12 x 75
6 X 4	150 X 100	168.3 X 114.3	6.625 X 4.500	300.0	2.07	205.0	8.07	254.0	10.00	50.0	1.97	2 - M12 x 75
8 X 6	200 X 150	219.1 X 168.3	8.625 X 6.625	300.0	2.07	257.0	10.12	330.0	12.99	58.0	2.28	2 - M12 x 85

TEE REDUCIDA CON ROSCA HEMBRA NPT

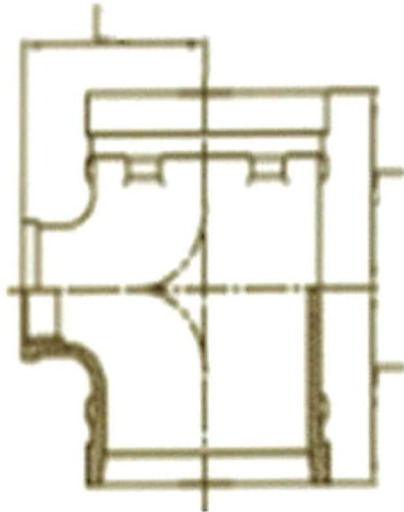
DL® N°: XGQT04S



NPS	DN	Diam. Externo (OD)		Working Pressure		AVANCE	
		mm	pulg.	Psi	Mpa	L	
						mm	pulg.
2 X 1	20 X 25	60.3 X 33.7	2.375 X 1.327	300.0	2.07	70.0	2.76
2 X 1-1/4	50 X 32	60.3 X 42.4	2.375 X 1.669	300.0	2.07	70.0	2.76
2 X 1-1/2	50 X 40	60.3 X 48.3	2.375 X 1.900	300.0	2.07	70.0	2.76
2-1/2 X 1	65 X 25	73.0 X 33.7	2.875 X 1.327	300.0	2.07	76.0	2.99
2-1/2 X 1-1/4	65 X 32	73.0 X 42.4	2.875 X 1.669	300.0	2.07	76.0	2.99
2-1/2 X 1-1/2	65 X 40	73.0 X 48.3	2.875 X 1.900	300.0	2.07	76.0	2.99
3 X 1	80 X 25	88.9 X 33.7	3.500 X 1.327	300.0	2.07	86.0	3.39
3 X 1-1/4	80 X 32	88.9 X 42.4	3.500 X 1.669	300.0	2.07	86.0	3.39
3 X 1-1/2	80 X 40	88.9 X 48.3	3.500 X 1.900	300.0	2.07	86.0	3.39
3 X 2	80 X 50	88.9 X 60.3	3.500 X 2.375	300.0	2.07	86.0	3.39
4 X 1	100 X 25	114.3 X 33.7	4.500 X 1.327	300.0	2.07	102.0	4.02
4 X 1-1/4	100 X 32	114.3 X 42.4	4.500 X 1.669	300.0	2.07	102.0	4.02
4 X 1-1/2	100 X 40	114.3 X 48.3	4.500 X 1.900	300.0	2.07	102.0	4.02
4 X 2	100 X 50	114.3 X 60.3	4.500 X 2.375	300.0	2.07	102.0	4.02

TEE REDUCIDA RANURADA

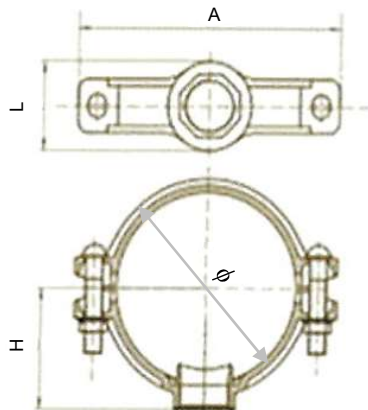
DL® N°: XGQT04



NPS	DN	Diam. Externo (OD)		Working Pressure		AVANCE	
		mm	pulg.	Psi	Mpa	L	
						mm	pulg.
3 X 2-1/2	80 X 65	88.9 X 73.0	3.500 X 2.875	300.0	2.07	86.0	3.39
4 X 2-1/2	100 X 65	114.3 X 73.0	4.500 X 2.875	300.0	2.07	102.0	4.02
4 X 3	100 X 80	114.3 X 88.9	4.500 X 3.500	300.0	2.07	102.0	4.02
5 X 3	125 X 80	139.7 X 88.9	5.500 X 3.500	300.0	2.07	122.0	4.80
5 X 4	125 X 100	139.7 X 114.3	5.500 X 4.500	300.0	2.07	122.0	4.80
6 X 2-1/2	150 X 65	168.3 X 73.0	6.625 X 2.875	300.0	2.07	140.0	5.51
6 X 3	150 X 80	168.3 X 88.9	6.625 X 3.500	300.0	2.07	140.0	5.51
6 X 4	150 X 100	168.3 X 114.3	6.625 X 4.500	300.0	2.07	140.0	5.51
6 X 5	150 X 125	168.3 X 141.3	6.625 X 5.563	300.0	2.07	140.0	5.51
8 X 3	200 X 80	219.1 X 88.9	8.625 X 3.500	300.0	2.07	175.0	6.89
8 X 4	200 X 100	219.1 X 114.3	8.625 X 4.500	300.0	2.07	175.0	6.89
8 X 6	200 X 150	219.1 X 168.3	8.625 X 6.625	300.0	2.07	175.0	6.89

TEE MECANICA REDUCIDA CON ROSCA

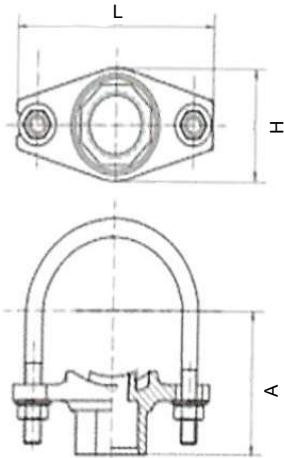
DL® N°: XGQT3S



NPS	DN	Diam. Externo (OD)		Working Pressure		Diámetro del orificio		Dimensiones							
		mm	pulg.	Psi	Mpa	mm	pulg.	φ		L		A		H	
								mm	pulg.	mm	pulg.	mm	pulg.	mm	pulg.
2 X 1/2	50 X 15	60.3 X 21.3	2.375 X 0.825	300.0	2.07	38.0	1.50	75.0	2.95	120.0	4.72	50.0	1.97	54.0	2.13
2 X 3/4	50 X 20	60.3 X 26.9	2.375 X 1.050	300.0	2.07	38.0	1.50	75.0	2.95	120.0	4.72	50.0	1.97	54.0	2.13
2 X 1	50 X 25	60.3 X 33.7	2.375 X 1.315	300.0	2.07	38.0	1.50	75.0	2.95	120.0	4.72	57.0	2.24	69.0	2.72
2 X 1-1/4	50 X 32	60.3 X 42.4	2.375 X 1.660	300.0	2.07	46.0	1.81	75.0	2.95	120.0	4.72	57.0	2.24	69.0	2.72
2 X 1-1/2	50 X 40	60.3 X 48.3	2.375 X 1.900	300.0	2.07	46.0	1.81	75.0	2.95	120.0	4.72	61.0	2.40	68.0	2.68
2-1/2 X 3/4	65 X 20	73.0 X 26.9	2.875 X 1.050	300.0	2.07	38.0	1.50	93.0	3.66	139.0	5.47	58.0	2.28	54.0	2.13
2-1/2 X 1	65 X 25	73.0 X 33.7	2.875 X 1.315	300.0	2.07	38.0	1.50	93.0	3.66	139.0	5.47	61.0	2.40	77.0	3.03
2-1/2 X 1-1/4	65 X 32	73.0 X 42.4	2.875 X 1.660	300.0	2.07	46.0	1.81	93.0	3.66	139.0	5.47	61.0	2.40	83.0	3.27
2-1/2 X 1-1/2	65 X 40	73.0 X 48.3	2.875 X 1.900	300.0	2.07	51.0	2.01	93.0	3.66	139.0	5.47	61.0	2.40	83.0	3.27
3 X 1	80 X 25	88.9 X 33.7	3.500 X 1.315	300.0	2.07	38.0	1.50	114.0	4.49	155.0	6.10	74.0	2.91	77.0	3.03
3 X 1-1/2	80 X 40	88.9 X 48.3	3.500 X 1.900	300.0	2.07	51.0	2.01	114.0	4.49	155.0	6.10	73.0	2.87	93.0	3.66
3 X 2	80 X 50	88.9 X 60.3	3.500 X 2.375	300.0	2.07	64.0	2.52	114.0	4.49	155.0	6.10	78.0	3.07	99.0	3.90
4 X 1-1/2	100 X 40	114.3 X 48.3	4.500 X 1.900	300.0	2.07	51.0	2.01	140.0	5.51	181.0	7.13	95.0	3.74	92.0	3.62
4 X 2	100 X 50	114.3 X 60.3	4.500 X 2.375	300.0	2.07	64.0	2.52	140.0	5.51	181.0	7.13	93.0	3.66	100.0	3.94
6 X 1-1/2	150 X 40	168.3 X 48.3	6.500 X 1.900	300.0	2.07	51.0	2.01	198.0	7.80	248.0	9.76	120.0	4.72	94.0	3.70
6 X 2	150 X 50	168.3 X 60.3	6.625 X 2.375	300.0	2.07	64.0	2.52	198.0	7.80	248.0	9.76	120.0	4.72	99.0	3.90

TEE MECANICA REDUCIDA U-BOLT

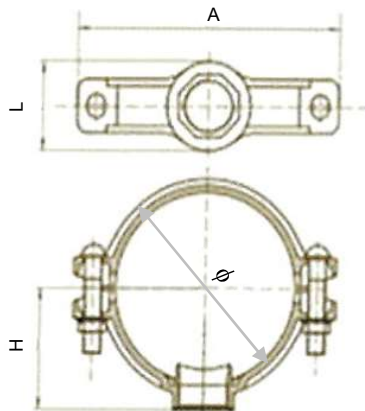
DL® N°: XGQT3U



NPS	DN	Working Pressure		Diámetro del orificio		Dimensiones						U Bolt
						L		A		H		
						mm	pulg.	mm	pulg.	mm	pulg.	
1-1/2 X 1/2	40 X 15	300.0	2.07	30.0	1.18	106.0	4.17	48.0	1.89	59.0	2.32	M10 x 78
1-1/2 X 3/4	40 X 20	300.0	2.07	30.0	1.18	106.0	4.17	54.0	57.20	59.0	2.32	M10 x 78
1-1/2 X 1	40 X 25	300.0	2.07	30.0	1.18	106.0	4.17	58.0	2.28	59.0	2.32	M10 x 78

TEE MECANICA REDUCIDA RANURADA

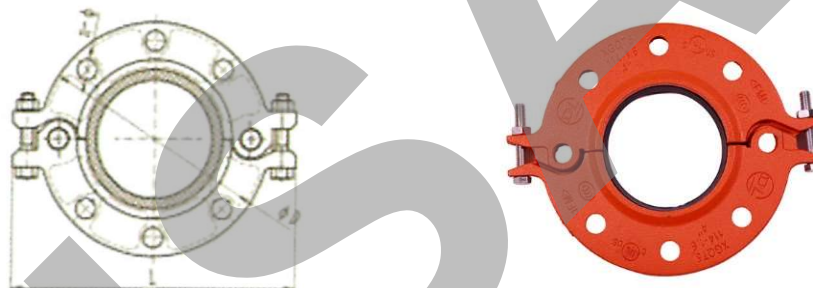
DL® N°: XGQT3G



NPS	DN	Diam. Externo (OD)		Working Pressure		Diámetro del orificio		Dimensiones							
								φ		L		A		H	
		mm	pulg.	Psi	Mpa	mm	pulg.	mm	pulg.	mm	pulg.	mm	pulg.	mm	pulg.
3 X 2	80 X 50	88.9 X 60.3	3.500 X 2.375	300.0	2.07	64.0	2.52	114.0	4.49	152.0	5.98	85.0	3.35	99.0	3.90
4 X 2	100 X 50	114.3 X 60.3	4.500 X 2.375	300.0	2.07	64.0	2.52	140.0	5.51	180.0	7.09	99.0	3.90	99.0	3.90
4 X 2-1/2	100 X 65	114.3 X 73.0	4.500 X 2.875	300.0	2.07	70.0	2.76	140.0	5.51	180.0	7.09	99.0	3.90	122.0	4.80
4 X 3	100 X 80	114.3 X 88.9	4.500 X 3.500	300.0	2.07	89.0	3.50	140.0	5.51	180.0	7.09	102.0	4.02	129.0	5.08
6 X 2-1/2	150 X 65	168.3 X 73.0	6.625 X 2.875	300.0	2.07	70.0	2.76	198.0	7.80	248.0	9.76	131.0	5.16	122.0	4.80
6 X 3	150 X 80	168.3 X 88.9	6.625 X 3.500	300.0	2.07	89.0	3.50	198.0	7.80	248.0	9.76	132.0	5.20	137.0	5.39
6 X 4	150 X 100	168.3 X 114.3	6.625 X 4.500	300.0	2.07	114.0	4.49	198.0	7.80	248.0	9.76	133.0	5.24	157.0	6.18
8 X 2-1/2	200 X 65	219.1 X 76.1	8.625 X 3.000	300.0	2.07	70.0	2.76	250.0	9.84	311.0	12.24	152.0	5.98	130.0	5.12
8 X 3	200 X 80	219.1 X 88.9	8.625 X 3.500	300.0	2.07	89.0	3.50	250.0	9.84	311.0	12.24	152.0	5.98	137.0	5.39
8 X 4	200 X 100	219.1 X 114.3	8.625 X 4.500	300.0	2.07	114.0	4.49	250.0	9.84	311.0	12.24	153.0	6.02	162.0	6.38

BRIDA ADAPTER

DL® N°: XGQT5A



NPS	DN	Diam. Interno (OD)		Working Pressure		Dimensiones								Orificios (Drilling)			
		mm	pulg.	Psi	Mpa	L		Z		D		d		Pernos de ajuste	Diámetro de Orificios		# de Orificios
						mm	pulg.	mm	pulg.	mm	pulg.	mm	pulg.		mm	pulg.	
2	50	60.3	2.37	300	2.07	220.0	8.66	23.0	0.91	165.0	6.50	121.0	4.76	2 - M10X70	19.00	3/4	4
2-1/2	65	73.0	2.87	300	2.07	235.0	9.25	23.0	0.91	185.0	7.28	140.0	5.51	2 - M10X70	19.00	3/4	4
3	80	88.9	3.50	300	2.07	255.0	10.04	23.0	0.91	200.0	7.87	152.0	5.98	2 - M10X70	19.00	3/4	4
4	100	114.3	4.50	300	2.07	279.0	10.98	23.0	0.91	228.0	8.98	191.0	7.52	2 - M10X70	19.00	3/4	8
5	125	141.3	5.56	300	2.07	320.0	12.60	24.0	0.94	250.0	9.84	216.0	8.50	2 - M12X80	19.00	3/4	8
6	150	168.3	6.63	300	2.07	346.0	13.62	24.0	0.94	285.0	11.22	241.0	9.49	2 - M16X100	23.00	7/8	8
8	200	219.1	8.63	300	2.07	414.0	16.30	28.0	1.10	340.0	13.39	299.0	11.77	2 - M16X100	23.00	7/8	8
10	250	273.0	10.75	300	2.07	480.0	18.90	30.0	1.18	405.0	15.94	362.0	14.25	2 - M16X100	28.00	1 1/8	12
12	300	323.8	12.75	300	2.07	553.0	21.77	32.0	1.26	482.0	18.98	432.0	17.01	2 - M16X100	28.00	1 1/8	12