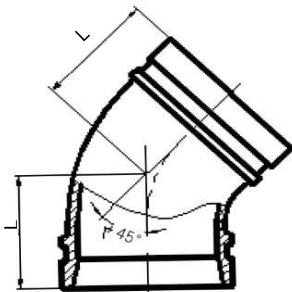
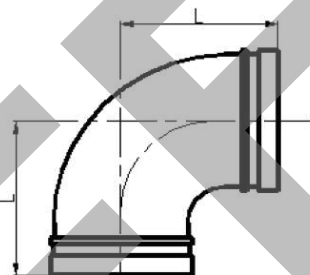
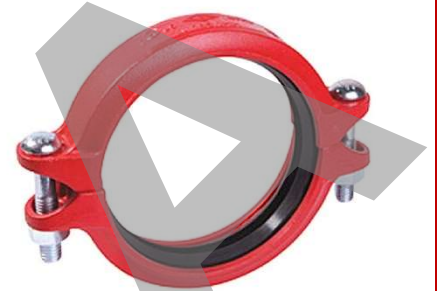
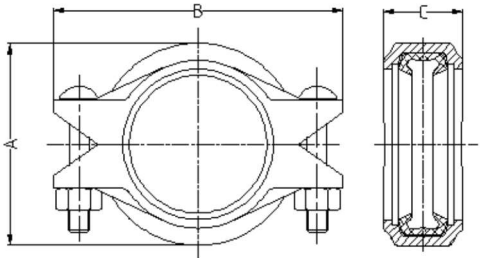


**CODO 45°**
**MECH: 120**


NPS	DN	Diam. Externo (OD)		Working Pressure		Avance	
		mm	Pulg.	Psi	Mpa	L	
2	50	60.3	2.37	500.0	3.45	51.0	2.01
2-1/2	65	73.0	2.87	500.0	3.45	57.0	2.24
3	80	88.9	3.50	500.0	3.45	63.5	2.50
4	100	114.3	4.50	500.0	3.45	76.0	2.99
5	125	141.3	5.56	500.0	3.45	82.5	3.25
6	150	168.3	6.63	500.0	3.45	89.0	3.50
8	200	219.1	8.63	500.0	3.45	108.0	4.25
10	250	273.0	10.75	500.0	3.45	120.5	4.74
12	300	323.8	12.75	500.0	3.45	133.0	5.24

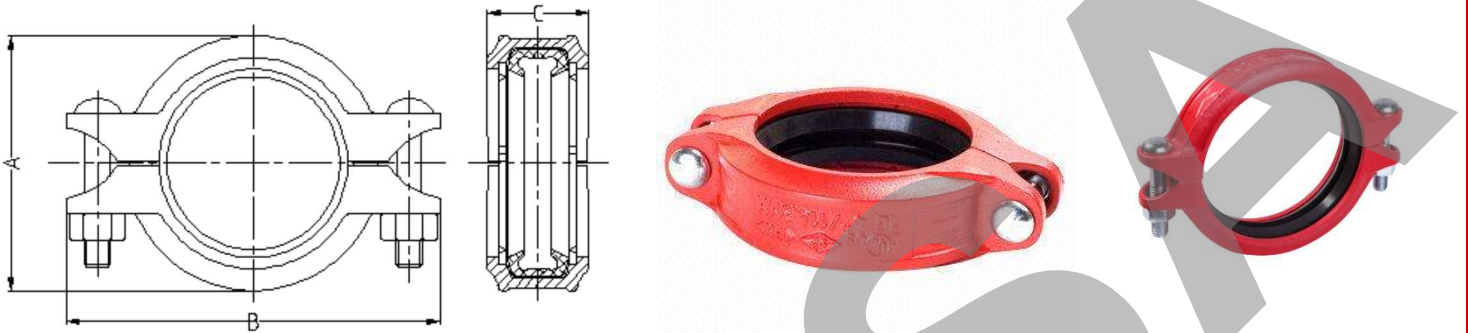
**CODO 90°**
**MECH: 90**


NPS	DN	Diam. Externo (OD)		Working Pressure		Avance	
		mm	pulg.	Psi	Mpa	L	
2	50	60.3	2.37	500.0	3.45	82.5	3.25
2-1/2	65	73.0	2.87	500.0	3.45	95.0	3.74
3	80	88.9	3.50	500.0	3.45	108.0	4.25
4	100	114.3	4.50	500.0	3.45	127.0	5.00
5	125	141.3	5.56	500.0	3.45	140.0	5.51
6	150	168.3	6.63	500.0	3.45	165.0	6.50
8	200	219.1	8.63	500.0	3.45	197.0	7.76
10	250	273.0	10.75	500.0	3.45	229.0	9.02
12	300	323.8	12.75	500.0	3.45	254.0	10.00

**ACOPLE FLEXIBLE**
**MECH: 1N**


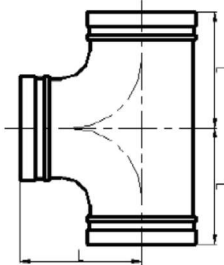
NPS	DN	Diam. Externo (OD)		Working Pressure		Dimensiones						Pernos de ajuste
						A		B		C		
		mm	pulg.	Psi	Mpa	mm	pulg.	mm	pulg.	mm	pulg.	
1-1/2	40	48.3	1.90	500	3.45	70.0	2.76	110.0	4.33	44.0	1.73	3/8 x 55 - 2
2	50	60.3	2.37	500	3.45	83.0	3.27	124.0	4.88	44.0	1.73	3/8 x 55 - 2
2-1/2	65	73	2.87	500	3.45	96.0	3.78	143.0	5.63	45.0	1.77	3/8 x 55 - 2
3	80	88.9	3.50	500	3.45	115.0	4.53	160.0	6.30	45.0	1.77	1/2 x 70 - 2
4	100	114.3	4.50	500	3.45	145.0	5.71	198.0	7.80	50.0	1.97	1/2 x 70 - 2
5	125	141.3	5.56	450	3.10	170.0	6.69	232.0	9.13	51.0	2.01	5/8 x 80 - 2
6	150	168.3	6.63	450	3.10	200.0	7.87	265.0	10.43	52.0	2.05	5/8 x 85 - 2
8	200	219.1	8.63	450	3.10	258.0	10.16	350.0	13.78	60.0	2.36	3/4 x 115 - 2
10	250	273	10.75	300	2.07	337.0	13.27	406.0	15.98	65.0	2.56	7/8 x 140 - 2
12	300	323.8	12.75	300	2.07	372.0	14.65	460.0	18.11	64.0	2.52	7/8 x 140 - 2

Aceros – Válvulas – Tuberías y Accesorios – Sistemas Contra Incendio

**ACOPLE RIGIDO**
**MECH: 1G**


NPS	DN	Diam. Externo (OD)		Working Pressure		Dimensiones						Pernos de ajuste
						A		B		C		
		mm	pulg.	Psi	Mpa	mm	pulg.	mm	pulg.	mm	pulg.	
1-1/2	40	48.3	1.90	500	3.45	72.0	2.83	112.0	4.41	45.0	1.77	3/8 x 55 - 2
2	50	60.3	2.37	500	3.45	85.0	3.35	130.0	5.12	45.0	1.77	3/8 x 55 - 2
2-1/2	65	73	2.87	500	3.45	98.0	3.86	140.0	5.51	45.0	1.77	3/8 x 55 - 2
3	80	88.9	3.50	500	3.45	115.0	4.53	168.0	6.61	46.0	1.81	1/2 x 70 - 2
4	100	114.3	4.50	500	3.45	146.0	5.75	200.0	7.87	52.0	2.05	1/2 x 70 - 2
5	125	141.3	5.56	450	3.10	172.0	6.77	235.0	9.25	52.0	2.05	5/8 x 85 - 2
6	150	168.3	6.63	450	3.10	202.0	7.95	265.0	10.43	52.0	2.05	5/8 x 85 - 2
8	200	219.1	8.63	450	3.10	266.0	10.48	345.0	13.58	62.0	2.44	3/4 x 115 - 2
10	250	273	10.75	300	2.07	318.0	12.52	396.0	15.59	63.0	2.48	3/4 x 120 - 2
12	300	323.9	12.75	300	2.07	370.0	14.57	465.0	18.31	63.0	2.48	7/8 x 140 - 2

Aceros – Válvulas – Tuberías y Accesorios – Sistemas Contra Incendio

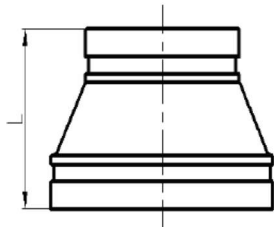
**TEE**
**MECH: 130**


NPS	DN	Diam. Externo (OD)		Working Pressure		Avance	
		mm	pulg.	Psi	Mpa	L	
2	50	60.3	2.37	500.0	3.45	82.5	3.25
2-1/2	65	73.0	2.87	500.0	3.45	95.0	3.74
3	80	88.9	3.50	500.0	3.45	108.0	4.25
4	100	114.3	4.50	500.0	3.45	127.0	5.00
5	125	141.3	5.56	500.0	3.45	140.0	5.51
6	150	168.3	6.63	500.0	3.45	165.0	6.50
8	200	219.1	8.63	500.0	3.45	197.0	7.76
10	250	273.0	10.75	500.0	3.45	229.0	9.02
12	300	323.8	12.75	500.0	3.45	254.0	10.00

**CAP (TAPON HEMBRA)**
**MECH: 300**


NPS	DN	Diam. Externo (OD)		Working Pressure		Avance	
		mm	pulg.	Psi	Mpa	L	
2	50	60.3	2.37	500.0	3.45	23.5	0.93
2-1/2	65	73.0	2.87	500.0	3.45	23.5	0.93
3	80	88.9	3.50	500.0	3.45	25.5	1.00
4	100	114.3	4.50	500.0	3.45	27.0	1.06
5	125	141.3	5.56	500.0	3.45	27.0	1.06
6	150	168.3	6.63	300.0	3.45	27.0	1.06
8	200	219.1	8.63	300.0	3.45	30.5	1.20
10	250	273.0	10.75	300.0	3.45	32.0	1.26
12	300	323.8	12.75	300.0	3.45	32.0	1.26

## REDUCCION CONCENTRICA

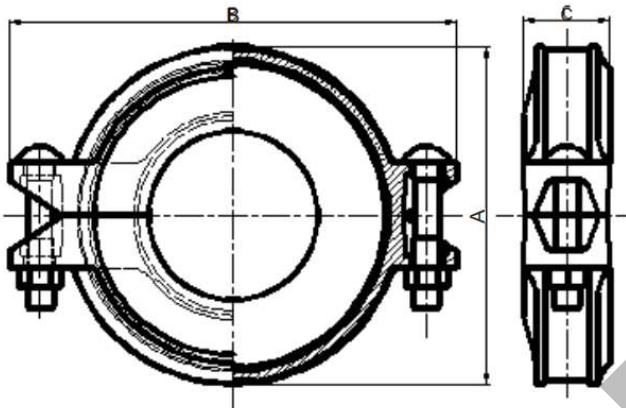
**MECH: 240**


NPS	DN	Diam. Externo (OD)		Working Pressure		Avance	
		mm	pulg.	Psi	Mpa	L	
						mm	pulg.
<b>2-1/2 X 2</b>	<b>65 X 50</b>	73 X 60.3	2.875 X 2.375	500.0	3.45	64.0	2.52
<b>3 X 2</b>	<b>80 X 50</b>	88.9 X 60.3	3.500 X 2.375	500.0	3.45	64.0	2.52
<b>3 X 2-1/2</b>	<b>80 X 65</b>	88.9 X 73.0	3.500 X 2.875	500.0	3.45	64.0	2.52
<b>4 X 2</b>	<b>100 X 50</b>	114.3 X 63.0	4.500 X 2.375	500.0	3.45	76.0	2.99
<b>4 X 2-1/2</b>	<b>100 X 65</b>	114.3 X 73.0	4.500 X 2.875	500.0	3.45	76.0	2.99
<b>4 X 3</b>	<b>100 X 80</b>	114.3 X 88.9	4.500 X 3.500	500.0	3.45	76.0	2.99
<b>5 X 3</b>	<b>125 X 80</b>	141.3 X 88.9	5.563 X 3.500	500.0	3.45	89.0	3.50
<b>5 X 4</b>	<b>125 X 100</b>	141.3 X 114.3	5.563 X 4.500	500.0	3.45	89.0	3.50
<b>6 X 2-1/2</b>	<b>150 X 65</b>	168.3 X 73.0	6.625 X 2.875	500.0	3.45	102.0	4.02
<b>6 X 3</b>	<b>150 X 80</b>	168.3 X 88.9	6.625 X 3.500	500.0	3.45	102.0	4.02
<b>6 X 4</b>	<b>150 X 100</b>	168.3 X 114.3	6.625 X 4.500	500.0	3.45	102.0	4.02
<b>6 X 5</b>	<b>150 X 125</b>	168.3 X 141.3	6.625 X 4.500	500.0	3.45	102.0	4.02
<b>8 X 4</b>	<b>200 X 100</b>	219.1 X 114.3	8.625 X 4.500	500.0	3.45	127.0	5.00
<b>8 X 6</b>	<b>200 X 150</b>	219.1 X 168.3	8.625 X 6.625	500.0	3.45	127.0	5.00
<b>10 X 8</b>	<b>250 X 200</b>	273.0 X 219.1	10.750 X 8.625	500.0	3.45	152.0	5.98
<b>12 X 10</b>	<b>300 X 250</b>	323.9 X 273.0	12.750 X 10.750	500.0	3.45	178.0	7.01

Aceros – Válvulas – Tuberías y Accesorios – Sistemas Contra Incendio

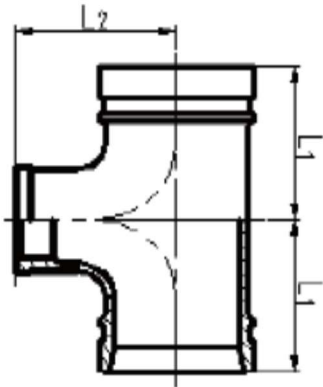
## ACOPLE FLEXIBLE REDUCTOR

MECH: 1N



NPS	DN	Diam. Externo (OD)		Working Pressure		Dimensiones						Pernos de ajuste
						A		B		C		
						mm	pulg.	mm	pulg.	mm	pulg.	
2-1/2 X 2	65 X 50	73 X 60.3	2.875 X 2.375	300.0	2.07	100.0	3.94	138.0	5.43	45.0	1.77	3/8 X 55 - 2
3 X 2	80 X 50	88.9 X 60.3	3.500 X 2.375	300.0	2.07	115.0	4.53	168.0	6.61	46.0	1.81	1/2 X 70 - 2
3 X 2-1/2	80 X 65	88.9 X 73.0	3.500 X 2.875	300.0	2.07	115.0	4.53	168.0	6.61	46.0	1.81	1/2 X 70 - 2
4 X 2	100 X 50	114.3 X 63.0	4.500 X 2.375	300.0	2.07	144.0	5.67	198.0	7.80	50.0	1.97	1/2 X 70 - 2
4 X 2-1/2	100 X 65	114.3 X 73.0	4.500 X 2.875	300.0	2.07	144.0	5.67	198.0	7.80	50.0	1.97	1/2 X 70 - 2
4 X 3	100 X 80	114.3 X 88.9	4.500 X 3.500	300.0	2.07	148.0	5.83	198.0	7.80	50.0	1.97	1/2 X 70 - 2
6 X 3	150 X 80	168.3 X 88.9	6.625 X 3.500	300.0	2.07	200.0	7.87	268.0	10.55	51.0	2.01	5/8 X 85 - 2
6 X 4	150 X 100	168.3 X 114.3	6.625 X 4.500	300.0	2.07	202.5	7.97	268.0	10.55	52.5	2.07	5/8 X 85 - 2
8 X 6	200 X 150	219.1 X 168.3	8.625 X 6.625	300.0	2.07	257.0	10.12	335.0	13.19	60.0	2.36	3/4 X 115 - 2

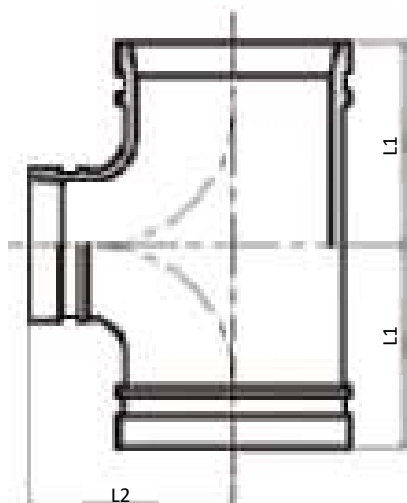
## TEE REDUCIDA CON ROSCA HEMBRA NPT

**MECH: 131R**


NPS	DN	Diam. Externo (OD)		Working Pressure		AVANCE			
		mm	pulg.	Psi	Mpa	L1		L2	
						mm	pulg.	mm	pulg.
<b>2 X 1</b>	<b>20 X 25</b>	60.3 X 33.7	2.375 X 1.315	300.0	2.07	70.0	2.76	70.0	2.76
<b>2 X 1-1/4</b>	<b>50 X 32</b>	60.3 X 42.4	2.375 X 1.660	300.0	2.07	70.0	2.76	70.0	2.76
<b>2 X 1-1/2</b>	<b>50 X 40</b>	60.3 X 48.3	2.375 X 1.900	300.0	2.07	70.0	2.76	70.0	2.76
<b>2-1/2 X 1</b>	<b>65 X 25</b>	73.0 X 33.7	2.875 X 1.315	300.0	2.07	76.0	2.99	76.0	2.99
<b>2-1/2 X 1-1/4</b>	<b>65 X 32</b>	73.0 X 42.4	2.875 X 1.660	300.0	2.07	76.0	2.99	76.0	2.99
<b>2-1/2 X 1-1/2</b>	<b>65 X 40</b>	76.1 X 48.3	3.000 X 1.900	300.0	2.07	76.0	2.99	76.0	2.99
<b>3 X 1</b>	<b>80 X 25</b>	88.9 X 33.7	3.500 X 1.315	300.0	2.07	85.5	3.37	85.5	3.37
<b>3 X 1-1/4</b>	<b>80 X 32</b>	88.9 X 42.4	3.500 X 1.660	300.0	2.07	85.5	3.37	85.5	3.37
<b>3 X 1-1/2</b>	<b>80 X 40</b>	88.9 X 48.3	3.500 X 1.900	300.0	2.07	85.5	3.37	85.5	3.37
<b>3 X 2</b>	<b>80 X 50</b>	88.9 X 60.3	3.500 X 2.375	300.0	2.07	85.5	3.37	85.5	3.37
<b>4 X 1</b>	<b>100 X 25</b>	114.3 X 33.7	4.500 X 1.315	300.0	2.07	76.0	2.99	88.0	3.46
<b>4 X 1-1/4</b>	<b>100 X 32</b>	114.3 X 42.4	4.500 X 1.660	300.0	2.07	76.0	2.99	88.0	3.46
<b>4 X 1-1/2</b>	<b>100 X 40</b>	114.3 X 48.3	4.500 X 1.900	300.0	2.07	85.0	3.35	91.0	3.58
<b>4 X 2</b>	<b>100 X 50</b>	114.3 X 60.3	4.500 X 2.375	300.0	2.07	85.0	3.35	91.0	3.58

Aceros – Válvulas – Tuberías y Accesorios – Sistemas Contra Incendio

## TEE REDUCIDA RANURADA

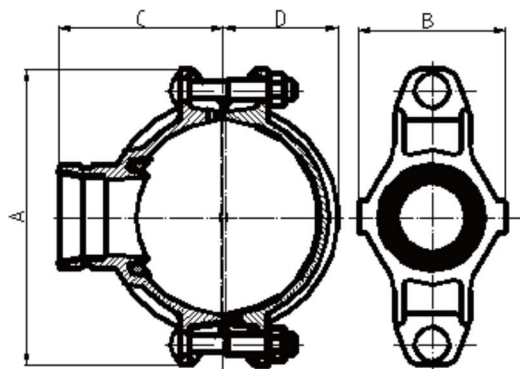
**MECH: 130R**


NPS	DN	Diam. Externo (OD)		Working Pressure		AVANCE			
		mm	pulg.	Psi	Mpa	L1		L2	
						mm	pulg.	mm	pulg.
3 X 2-1/2	80 X 65	88.9 X 73.0	3.500 X 2.875	500.0	3.45	85.5	3.37	85.5	3.37
4 X 2-1/2	100 X 65	114.3 X 73.0	4.500 X 2.875	500.0	3.45	101.0	3.98	101.0	3.98
4 X 3	100 X 80	114.3 X 88.9	4.500 X 3.500	500.0	3.45	101.0	3.98	101.0	3.98
5 X 3	125 X 80	139.7 X 88.9	5.500 X 3.500	500.0	3.45	124.0	4.88	124.0	4.88
5 X 4	125 X 100	139.7 X 114.3	5.500 X 4.500	500.0	3.45	124.0	4.88	124.0	4.88
6 X 2-1/2	150 X 65	168.3 X 73.0	6.625 X 2.875	500.0	3.45	140.0	5.51	140.0	5.51
6 X 3	150 X 80	168.3 X 88.9	6.625 X 3.500	500.0	3.45	140.0	5.51	140.0	5.51
6 X 4	150 X 100	168.3 X 114.3	6.625 X 4.500	500.0	3.45	140.0	5.51	140.0	5.51
6 X 5	150 X 125	168.3 X 141.3	6.625 X 5.563	500.0	3.45	140.0	5.51	140.0	5.51
8 X 3	200 X 80	219.1 X 88.9	8.625 X 3.500	500.0	3.45	175.0	6.89	175.0	6.89
8 X 4	200 X 100	219.1 X 114.3	8.625 X 4.500	500.0	3.45	175.0	6.89	175.0	6.89
8 X 6	200 X 150	219.1 X 168.3	8.625 X 6.625	500.0	3.45	175.0	6.89	175.0	6.89



Aceros – Válvulas – Tuberías y Accesorios – Sistemas Contra Incendio

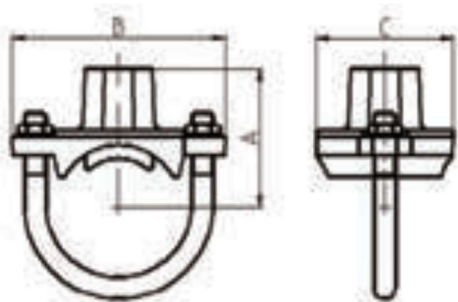
## TEE MECANICA REDUCIDA CON ROSCA

**MECH: 3J**


NPS	DN	Diam. Externo (OD)		Working Pressure		Diámetro del orificio		Dimensiones								Pernos de ajuste
								A		B		C		D		
		mm	pulg.	Psi	Mpa	mm	pulg.	mm	pulg.	mm	pulg.	mm	pulg.	mm	pulg.	
2 X 1/2	50 X 15	60.3 X 21.3	2.375 X 0.825	300.0	2.07	38.0	1.50	116.0	4.57	68.0	2.68	60.0	2.36	39.0	1.54	3/8 X 55 - 2
2 X 3/4	50 X 20	60.3 X 26.9	2.375 X 1.050	300.0	2.07	38.0	1.50	116.0	4.57	68.0	2.68	60.0	2.36	39.0	1.54	3/8 X 55 - 2
2 X 1	50 X 25	60.3 X 33.7	2.375 X 1.315	300.0	2.07	38.0	1.50	116.0	4.57	68.0	2.68	60.0	2.36	39.0	1.54	3/8 X 55 - 2
2 X 1-1/4	50 X 32	60.3 X 42.4	2.375 X 1.660	300.0	2.07	45.0	1.77	116.0	4.57	76.0	2.99	65.0	2.56	39.0	1.54	3/8 X 55 - 2
2 X 1-1/2	50 X 40	60.3 X 48.3	2.375 X 1.900	300.0	2.07	45.0	1.77	116.0	4.57	76.0	2.99	65.0	2.56	39.0	1.54	3/8 X 55 - 2
2-1/2 X 3/4	65 X 20	73.0 X 26.9	2.875 X 1.050	300.0	2.07	38.0	1.50	144.0	5.67	71.0	2.80	75.0	2.95	49.0	1.93	1/2 X 70 - 2
2-1/2 X 1	65 X 25	73.0 X 33.7	2.875 X 1.315	300.0	2.07	38.0	1.50	144.0	5.67	70.0	2.76	69.0	2.72	49.0	1.93	1/2 X 70 - 2
2-1/2 X 1-1/4	65 X 32	73.0 X 42.4	2.875 X 1.660	300.0	2.07	51.0	2.01	144.0	5.67	84.5	3.33	73.0	2.87	49.0	1.93	1/2 X 70 - 2
2-1/2 X 1-1/2	65 X 40	73.0 X 48.3	2.875 X 1.900	300.0	2.07	51.0	2.01	144.0	5.67	84.5	3.33	73.0	2.87	49.0	1.93	1/2 X 70 - 2
3 X 1	80 X 25	88.9 X 33.7	3.500 X 1.315	300.0	2.07	38.0	1.50	152.0	5.98	72.5	2.85	80.0	3.15	56.5	2.22	1/2 X 75 - 2
3 X 1-1/2	80 X 40	88.9 X 48.3	3.500 X 1.900	300.0	2.07	51.0	2.01	152.0	5.98	85.5	3.37	80.0	3.15	56.5	2.22	1/2 X 75 - 2
3 X 2	80 X 50	88.9 X 60.3	3.500 X 2.375	300.0	2.07	64.0	2.52	152.0	5.98	98.0	3.86	80.0	3.15	56.5	2.22	1/2 X 75 - 2
4 X 1-1/2	100 X 40	114.3 X 48.3	4.500 X 1.900	300.0	2.07	51.0	2.01	188.0	7.40	89.0	3.50	97.0	3.82	70.0	2.76	1/2 X 75 - 2
4 X 2	100 X 50	114.3 X 60.3	4.500 X 2.375	300.0	2.07	64.0	2.52	188.0	7.40	104.5	4.11	100.0	3.94	70.0	2.76	1/2 X 75 - 2
6 X 1-1/2	150 X 40	168.3 X 48.3	6.500 X 1.900	300.0	2.07	51.0	2.01	247.0	9.72	95.0	3.74	122.0	4.80	98.5	3.88	5/8 X 105 - 2
6 X 2	150 X 50	168.3 X 60.3	6.625 X 2.375	300.0	2.07	64.0	2.52	247.0	9.72	112.5	4.43	132.0	5.20	98.5	3.88	5/8 X 105 - 2

Aceros – Válvulas – Tuberías y Accesorios – Sistemas Contra Incendio

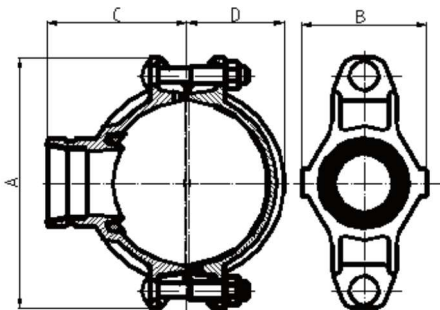
## TEE MECANICA REDUCIDA U-BOLT

**MECH: 3L**


NPS	DN	Working Pressure		Diámetro del orificio		Dimensiones						U Bolt
						A		B		C		
						mm	pulg.	mm	pulg.	mm	pulg.	
1-1/2 X 1/2	40 X 15	300.0	2.07	30.0	1.18	57.4	2.26	88.9	3.50	57.2	2.25	3/8 X 73
1-1/2 X 3/4	40 X 20	300.0	2.07	30.0	1.18	57.4	2.26	88.9	57.20	60.0	2.36	3/8 X 73
1-1/2 X 1	40 X 25	300.0	2.07	30.0	1.18	60.8	2.39	88.9	3.50	57.2	2.25	3/8 X 73

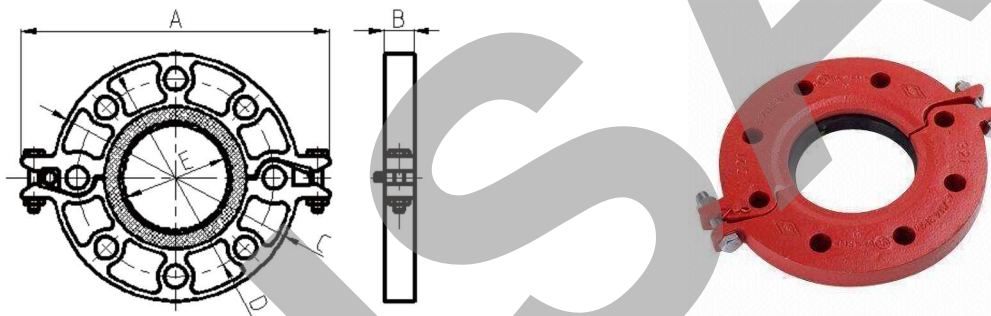
Aceros – Válvulas – Tuberías y Accesorios – Sistemas Contra Incendio

## TEE MECANICA REDUCIDA RANURADA

**MECH: 3G**


NPS	DN	Diam. Externo (OD)		Working Pressure		Diámetro del orificio		Dimensiones								Pernos de ajuste
								A		B		C		D		
		mm	pulg.	Psi	Mpa	mm	pulg.	mm	pulg.	mm	pulg.	mm	pulg.	mm	pulg.	
3 X 2	80 X 50	88.9 X 60.3	3.500 X 2.375	300.0	2.07	64.0	2.52	152.0	5.98	98.0	3.86	84.5	3.33	56.5	2.22	1/2 X 75 - 2
4 X 2	100 X 50	114.3 X 60.3	4.500 X 2.375	300.0	2.07	64.0	2.52	188.0	7.40	104.5	4.11	102.0	4.02	70.0	2.76	1/2 X 75 - 2
4 X 2-1/2	100 X 65	114.3 X 73.0	4.500 X 2.875	300.0	2.07	70.0	2.76	188.0	7.40	104.5	4.11	102.0	4.02	70.0	2.76	1/2 X 75 - 2
4 X 3	100 X 80	114.3 X 88.9	4.500 X 3.500	300.0	2.07	89.0	3.50	188.0	7.40	124.0	4.88	102.0	4.02	70.0	2.76	1/2 X 75 - 2
6 X 2-1/2	150 X 65	168.3 X 73.0	6.625 X 2.875	300.0	2.07	70.0	2.76	247.0	9.72	115.0	4.53	134.0	5.28	98.5	3.88	5/8 X 105 - 2
6 X 3	150 X 80	168.3 X 88.9	6.625 X 3.500	300.0	2.07	89.0	3.50	247.0	9.72	132.0	5.20	141.0	5.55	98.5	3.88	5/8 X 105 - 2
6 X 4	150 X 100	168.3 X 114.3	6.625 X 4.500	300.0	2.07	114.0	4.49	247.0	9.72	156.5	6.16	138.0	5.43	98.5	3.88	5/8 X 105 - 2
8 X 2-1/2	200 X 65	219.1 X 76.1	8.625 X 3.000	300.0	2.07	70.0	2.76	322.0	12.68	118.0	4.65	158.0	6.22	125.0	4.92	3/4 X 115 - 2
8 X 3	200 X 80	219.1 X 88.9	8.625 X 3.500	300.0	2.07	89.0	3.50	322.0	12.68	136.5	5.37	161.0	6.34	125.0	4.92	3/4 X 115 - 2
8 X 4	200 X 100	219.1 X 114.3	8.625 X 4.500	300.0	2.07	114.0	4.49	322.0	12.68	164.0	6.46	161.0	6.34	125.0	4.92	3/4 X 115 - 2

### BRIDA ADAPTER

 MECH: 321<sup>a</sup>-ANSI 125/150


NPS	DN	Diam. Externo (OD)		Working Pressure		Dimensions										Orificios (Drilling)			
						A		B		C		D		E		Pernos de ajuste	Diámetro de Orificios		# de Orificios
						mm	pulg.	mm	pulg.	mm	pulg.	mm	pulg.	mm	pulg.		mm	pulg.	
2	50	60.3	2.37	300	2.07	206.0	8.11	22.0	0.87	152.0	5.98	121.00	4.76	57.5	2.26	M10X50-2	15.88	5/8	4
2-1/2	65	73.0	2.87	300	2.07	230.0	9.06	22.0	0.87	178.0	7.01	140.00	5.51	69.8	2.75	M10X50-2	15.88	5/8	4
3	80	88.9	3.50	300	2.07	242.0	9.53	24.0	0.94	191.0	7.52	152.00	5.98	85.5	3.37	M10X50-2	15.88	5/8	4
4	100	114.3	4.50	300	2.07	280.0	11.02	24.0	0.94	229.0	9.02	191.00	7.52	110.5	4.35	M12X55-2	15.88	5/8	8
5	125	141.3	5.56	300	2.07	325.0	12.80	24.5	0.96	254.0	10.00	216.00	8.50	137.4	5.41	M12X55-2	19.05	3/4	8
6	150	168.3	6.63	300	2.07	346.0	13.62	25.5	1.00	280.0	11.02	241.30	9.50	164.3	6.47	M12X65-2	19.05	3/4	8
8	200	219.1	8.63	300	2.07	414.3	16.31	30.0	1.18	341.4	13.44	298.50	11.75	214.9	8.46	3/8X70-2	19.05	3/4	8
10	250	273.0	10.75	300	2.07	481.2	18.94	30.1	1.19	405.6	15.97	361.95	14.25	268.9	10.59	3/8X70-2	22.23	7/8	12
12	300	323.8	12.75	300	2.07	553.3	21.78	30.4	1.20	482.6	19.00	431.80	17.00	318.9	12.56	3/8X70-2	22.23	7/8	12