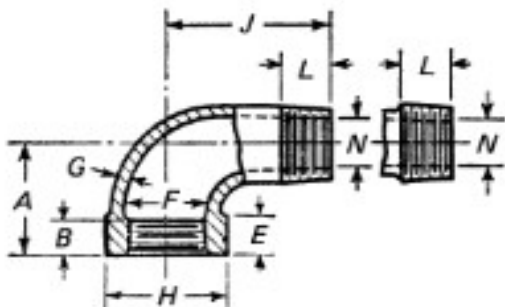


Aceros – Válvulas – Tuberías y Accesorios – Sistemas contra incendio

CLASS 300

 • **CODO CALLE 90°**


| NPS | DN | CODO CALLE 90° | | | | Long de Rosca (min) | | Ancho del Reborde (min) | | Diam. Interno (min) | | | | Espesor de pared (min) | | Diámetro externo del reborde (min) | | Centro al extremo macho codo 90° | | Longitud mínima de rosca externa | |
|----------|----|----------------|------|------------|------|---------------------|------|-------------------------|------|---------------------|------|------|------|------------------------|------|------------------------------------|------|----------------------------------|------|----------------------------------|------|
| | | A | | Peso Aprox | | B | | E | | F | | G | | H | | J | | L | | | |
| | | mm | pulg | Kg | Lbs | mm | pulg | mm | pulg | min | max | mm | pulg | mm | pulg | mm | pulg | mm | pulg | min | |
| ** 3/8 | 10 | 26.9 | 1.06 | 0.12 | 0.26 | 11.9 | 0.47 | 11.2 | 0.44 | 17.1 | 0.67 | 18.3 | 0.72 | 3.8 | 0.15 | 28.5 | 1.12 | 41.4 | 1.63 | 10.4 | 0.41 |
| ** 1/2 | 15 | 31.8 | 1.25 | 0.18 | 0.40 | 14.5 | 0.57 | 12.7 | 0.50 | 21.3 | 0.84 | 22.8 | 0.90 | 4.1 | 0.16 | 34.0 | 1.34 | 50.8 | 2.00 | 13.5 | 0.53 |
| ** 3/4 | 20 | 36.6 | 1.44 | 0.31 | 0.68 | 16.3 | 0.64 | 14.2 | 0.56 | 26.7 | 1.05 | 28.1 | 1.11 | 4.6 | 0.18 | 41.4 | 1.63 | 55.6 | 2.19 | 14.0 | 0.55 |
| ** 1 | 25 | 41.4 | 1.63 | 0.47 | 1.04 | 19.1 | 0.75 | 15.8 | 0.62 | 33.4 | 1.31 | 35.2 | 1.39 | 5.1 | 0.20 | 49.5 | 1.95 | 65.0 | 2.56 | 17.3 | 0.68 |
| ** 1-1/4 | 32 | 49.3 | 1.94 | 0.73 | 1.61 | 21.3 | 0.84 | 17.5 | 0.69 | 42.2 | 1.66 | 43.9 | 1.73 | 5.6 | 0.22 | 60.7 | 2.39 | 73.2 | 2.88 | 18.0 | 0.71 |
| ** 1-1/2 | 40 | 54.1 | 2.13 | 1 | 2.2 | 22.1 | 0.87 | 19.1 | 0.75 | 48.3 | 1.90 | 50.0 | 1.97 | 6.1 | 0.24 | 68.1 | 2.68 | 79.5 | 3.13 | 18.3 | 0.72 |
| ** 2 | 50 | 63.5 | 2.50 | 1.63 | 3.6 | 25.4 | 1.00 | 21.3 | 0.84 | 60.3 | 2.37 | 62.1 | 2.44 | 6.6 | 0.26 | 83.3 | 3.28 | 93.7 | 3.69 | 19.3 | 0.76 |
| ** 2-1/2 | 65 | 74.7 | 2.94 | 2.54 | 5.6 | 29.7 | 1.17 | 23.9 | 0.94 | 73.0 | 2.87 | 75.6 | 2.98 | 7.9 | 0.31 | 98.0 | 3.86 | 114.3 | 4.50 | 29.0 | 1.14 |
| ** 3 | 80 | 85.9 | 3.38 | 4.33 | 9.5 | 31.2 | 1.23 | 25.4 | 1.00 | 88.9 | 3.50 | 91.4 | 3.60 | 8.9 | 0.35 | 117.3 | 4.62 | 130.3 | 5.13 | 30.5 | 1.20 |

Acabado superficial disponible:

** Hierro Negro