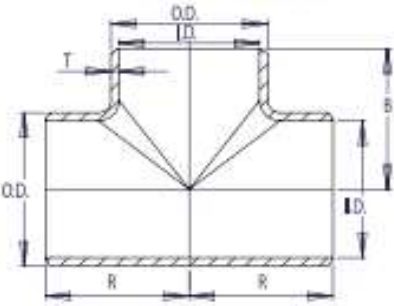


**TEE RECTA
 SCH 80 y XS**

 Conforme a:
 ASME B16.9 - ASTM A-234

Diámetro Nominal		Identificación		Diámetro Externo (OD)		Diámetro Interno (ID)		espesor de pared (T)		Centro a Centro (R)		Centro a Fin (B)		Peso nominal	
(NPS)	DN	Weight Class	Schedule N°	mm	inch	mm	inch	mm	inch	mm	inch	mm	inch	Lb	Kg
1/2"	15	XS	80	21.34	0.840	13.87	0.546	3.7	0.147	25.4	1.00	25.4	1.000	0.37	0.17
3/4"	20	XS	80	26.67	1.050	18.85	0.742	5.6	0.219	28.4	1.12	28.4	1.120	0.58	0.26
1"	25	XS	80	33.40	1.315	24.31	0.957	4.5	0.179	38.1	1.50	38.1	1.500	0.87	0.39
1-1/4"	32	XS	80	42.16	1.660	32.46	1.278	4.9	0.191	47.8	1.88	47.8	1.880	1.60	0.73
1-1/2"	40	XS	80	48.26	1.900	38.10	1.500	5.1	0.200	57.2	2.25	57.2	2.250	2.30	1.04
2"	50	XS	80	60.33	2.375	49.25	1.939	5.5	0.218	63.5	2.50	63.5	2.500	3.90	1.77
2-1/2"	65	XS	80	73.03	2.875	59.00	2.323	7.0	0.276	76.2	3.00	76.2	3.000	6.50	2.95
3"	80	XS	80	88.90	3.50	73.66	2.90	7.6	0.30	85.9	3.38	85.9	3.380	9.00	4.08
4"	100	XS	80	114.30	4.50	97.18	3.83	8.6	0.34	104.6	4.12	104.6	4.120	16.20	7.35
5"	125	XS	80	141.30	5.56	122.25	4.81	9.5	0.38	124.0	4.88	124.0	4.880	26.60	12.07
6"	150	XS	80	168.28	6.63	146.33	5.76	11.0	0.43	142.7	5.62	142.7	5.62	41.80	18.96
8"	200	XS	80	219.08	8.63	193.68	7.63	12.7	0.50	177.8	7.00	177.8	7.00	76.20	34.56
10	250	-	80	273.05	10.75	242.87	9.56	15.1	0.59	215.9	8.50	215.9	8.50	120.00	54.43
12	300	-	80	323.85	12.75	288.90	11.37	17.5	0.69	254.0	10.00	254.0	10.00	175.00	79.38
14	350	XS	-	355.60	14.00	330.20	13.00	12.7	0.50	279.4	11.00	279.4	11.00	237.00	107.50
16	400	XS	40	406.40	16.00	381.00	15.00	12.7	0.50	304.8	12.00	304.8	12.00	284.00	128.82
18"	450	XS	-	457.20	18.00	431.80	17.00	12.7	0.50	342.9	13.50	342.9	13.50	353.00	160.12
20"	500	XS	40	508.00	20.00	482.60	19.00	12.70	0.50	381.00	15.00	381.00	15.00	442.00	200.49